

## DS-KH6320-WTE2(B) Video Intercom Network Indoor Station



### Key Feature

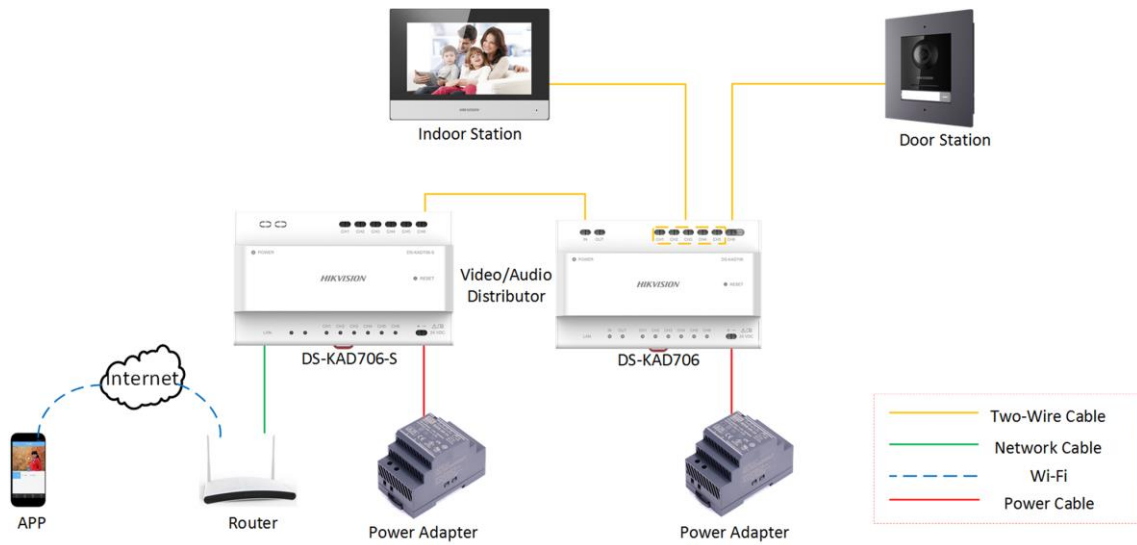
- Two-pin wire for power supply and network access
- UI V2.0: User friendly design
- 7-inch colorful touch screen with resolution 1024 × 600
- 2-ch transmission plan
- Stores messages and captured pictures in the TF card
- Remote unlocking via the client software or the mobile client
- Views live videos of door stations and linked cameras
- Supports wireless network



## Specification

Model	DS-KH6320-WTE2	
System	Processor basic frequency	1 G
	Memory	128 MB
	Flash	32 MB
Display	Operation system	Embedded Linux operation system
	Display screen	7-inch TFT LCD
	Display resolution	1024 × 600
Audio	Operation method	Capacitive touch
	Audio Input	Build-in omnidirectional microphone
	Audio output	Built-in loudspeaker
	Volume	Local or software control
	Audio compression standard	G.711 U
	Audio compression rate	64 Kbps
Network	Audio quality	Noise suppression and echo cancellation
	Wired network	BroadR-Reach
	Wireless network	Wi-Fi 802.11b/g/n
	Protocol	TCP/IP, SIP, RTSP
Interface	Network interface	Two-wire interface
	RS-485	1
	Alarm input	8 zones alarm input
	Relay output	2
	TF card	Support, Max. 32 GB
Capacity	Power interface	Two-wire interface
	Linked IPC	16
	Linked indoor extensions	5
	Notices	200
Extended Application	Linked doorphone	8
	Mobile client	Support
	Indoor call elevator	Support
General	IPC	Support
	Power supply mode	Two-wire
	Power consumption	≤ 6 W
	Working temperature	-10 °C to 50 °C (-14 °F to 122 °F)
	Working humidity	0% to 90%
	Dimensions (W × H × D)	200 mm × 140 mm × 15.1 mm (7.87" × 5.51" × 0.59")

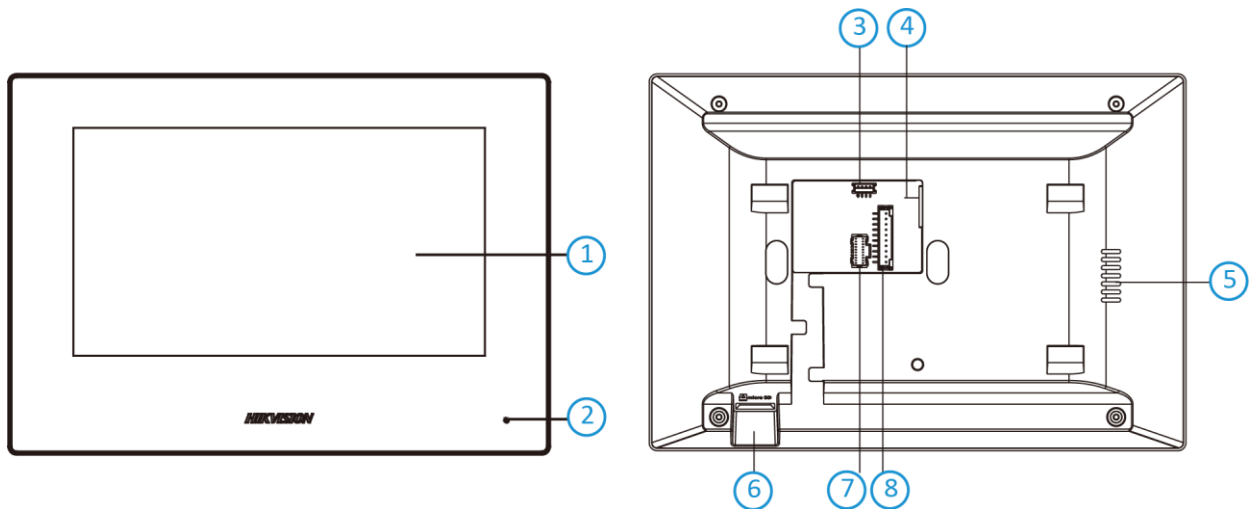
## Typical Application



## Available Model

DS-KH6320-WTE2(B)

## Physical Interface



No.	Description
1	Display Screen
2	Microphone
3	Debugging Port
4	Network Interface and Power Supply
5	Loudspeaker
6	TF Card Slot
7	Alarm Terminal
8	Reserved

Distributed by

**HIKVISION®****Headquarters**

No.555 Qianmo Road, Binjiang District,  
Hangzhou 310051, China  
T +86-571-8807-5998  
overseasbusiness@hikvision.com

**Hikvision USA**  
T +1-909-895-0400  
sales.usa@hikvision.com

**Hikvision Australia**  
T +61-2-8599-4233  
salesau@hikvision.com

**Hikvision India**  
T +91-22-28469900  
sales@pramahikvision.com

**Hikvision Canada**  
T +1-866-200-6690  
sales.canada@hikvision.com

**Hikvision Thailand**  
T +662-275-9949  
sales.thailand@hikvision.com

**Hikvision Europe**  
T +31-23-5542770  
sales.eu@hikvision.com

**Hikvision Italy**  
T +39-0438-6902  
info.it@hikvision.com

**Hikvision Brazil**  
T +55 11 3318-0050  
Latam.support@hikvision.com

**Hikvision Turkey**  
T +90 (216)521 7070- 7074  
sales.tr@hikvision.com

**Hikvision Malaysia**  
T +601-7652-2413  
sales.my@hikvision.com

**Hikvision UK & Ireland**  
T +01628-902140  
sales.uk@hikvision.com

**Hikvision South Africa**  
Tel: +27 (10) 0351172  
sale.africa@hikvision.com

**Hikvision France**  
T +33(0)1-85-330-450  
info.fr@hikvision.com

**Hikvision Kazakhstan**  
T +7-727-9730667  
nikia.panfilov@hikvision.ru

**Hikvision Vietnam**  
T +84-974270888  
sales.vt@hikvision.com

**Hikvision UAE**  
T +971-4-4432090  
salesme@hikvision.com

**Hikvision Singapore**  
T +65-6684-4718  
sg@hikvision.com

**Hikvision Spain**  
T +34-91-737-16-55  
info.es@hikvision.com

**Hikvision Tashkent**  
T +99-87-1238-9438  
uzb@hikvision.ru

**Hikvision Hong Kong**  
T +852-2151-1761  
info.hk@hikvision.com

**Hikvision Russia**  
T +7-495-669-67-99  
sateru@hikvision.com

**Hikvision Korea**  
T +82-(0)31-731-8817  
sales.korea@hikvision.com

**Hikvision Poland**  
T +48-22-460-01-50  
info.pl@hikvision.com

**Hikvision Indonesia**  
T +62-21-2933759  
Sales.Indonesia@hikvision.com

**Hikvision Colombia**  
sales.colombia@hikvision.com